

POWERFLEX®

PART NUMBER

PFF60-802

DESCRIPTION

FRONT ARM REAR BUSH

INSTALLATION GUIDE

Contents (parts per pack):

- 2 x Polyurethane Bushes
- 1 x PTFE/Silicone Grease
- 2 x Zinc Plated Mild Steel Outer Shells
- 2 x Stainless Steel Sleeves

Please read the complete fitting instructions and check package components before fitment. These fitting instructions are to be used as a guide and in conjunction with workshop manual.

It is recommended that:

- all work to be carried out by a licensed technician;
- all safety precautions adhered to;
- wheel alignment to be checked and adjusted as required after any suspension work.
- All fasteners must be tensioned to manufacturer's torque settings.



Fitting Instructions:

1. Remove the original rubber bush from the arm.
2. Clean any dirt and corrosion from the bore of the arm and file off any sharp edges.
3. Press in the two zinc plated mild steel outer shells into the bore of the arm on either side so that the top lip sits on top of the arm, as shown in Figure 1.
4. Push the polyurethane bush into the tapered bore of the outer shells so that it sits comfortably inside.

Tip: it may be necessary to apply some washing up liquid to the outside of the bush to ease fitting.

5. Apply some of the supplied grease into the bore of the polyurethane bush and push in the stainless steel sleeves so that it sits flush inside.

6. Refit the arm back to the vehicle and tension all hardware to manufacturers recommended torque settings.

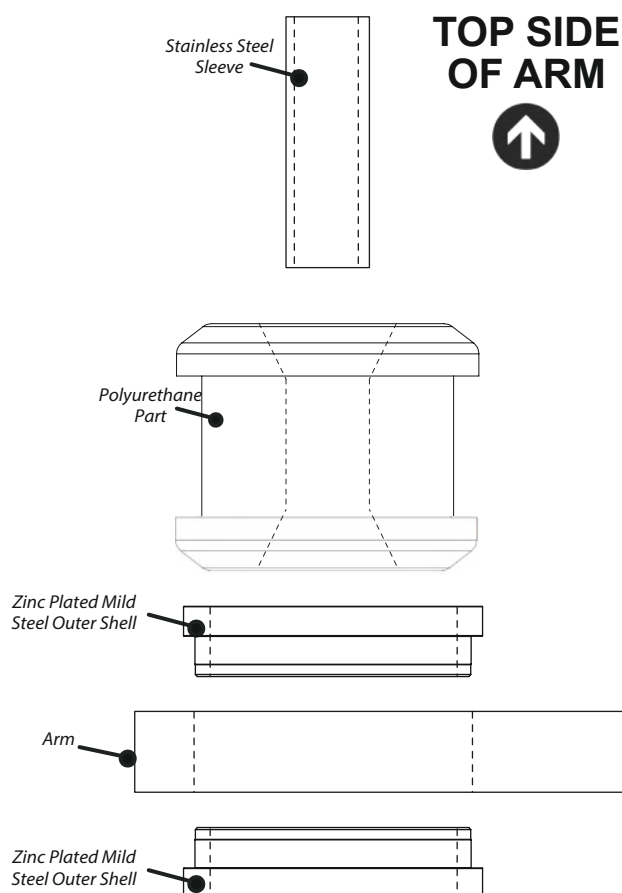


Figure 1